

Panasonic

Closed Circuit Video Equipment

Weather Proof & Vandal Resistant
Colour Dome Cameras
with Low-Light B/W Mode

WV-CW860 Series



ALL WEATHER AND VANDAL RESISTANT DOME CAMERA FOR 24-HOUR OUTDOOR SURVEILLANCE.

The new WV-CW860 Series from Panasonic combines a vandal resistant outdoor housing with a 22x zoom in an all-in-one colour/mono switch-over dome camera making it ideal for outdoor applications.

The rugged body meets international IP66 standards for dust and moisture resistance, and can be installed as-is under eaves or on exterior walls.

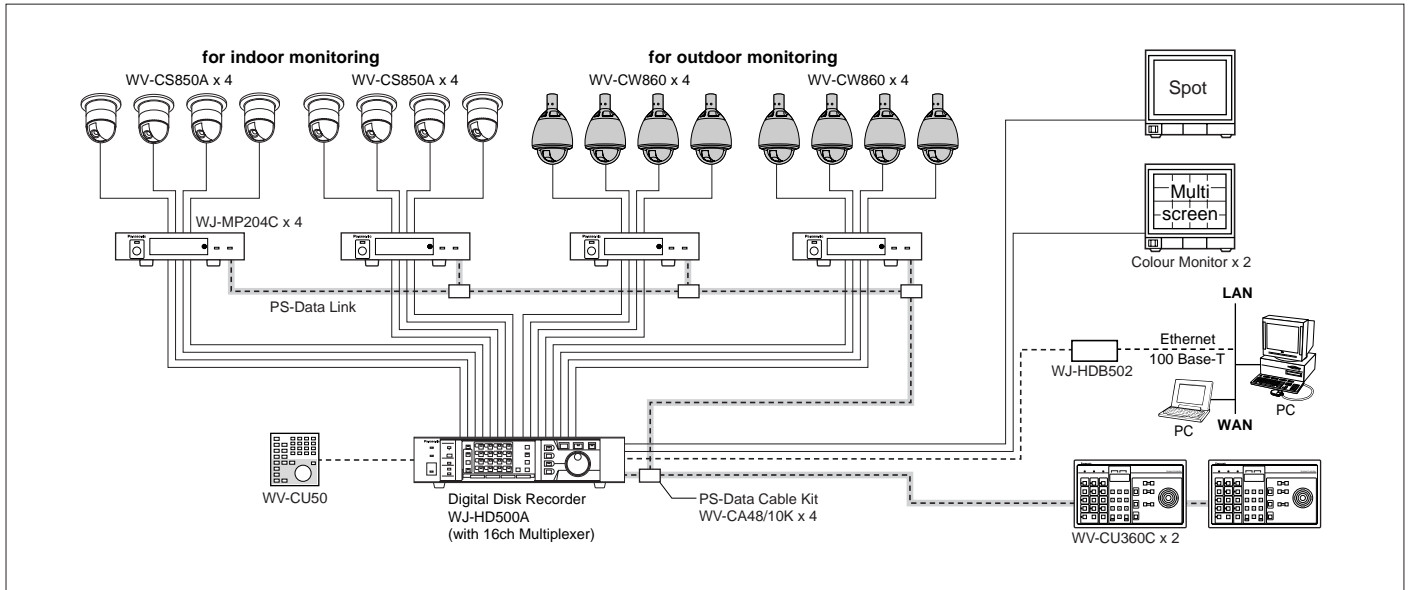
These ultra-sensitive cameras produce clear images in colour in lighting as low as 0.5 lx or black-and-white images in lighting as low as 0.03 lx (both at sensitivity 2x up, AGC high) and switch automatically from colour during the day to black-and-white at night, to provide 24-hour outdoor surveillance. In addition to a full 360° of horizontal rotation and 180° of vertical rotation, they also come equipped with digital flip capabilities for the ease of tracking people around your site. Privacy zone masking protects against operator misuse and the general public's rights to privacy. Patrol learn and motion detection are only two of a rich array of 64 pre-set options, raising surveillance to an unprecedented level.

These cameras are ideal for various applications such as outdoor parking lots, retail sites, town centre surveillance, hotels, office and other buildings, expressway and parks.

Key Features

- IP66 of IEC 60529 standard for all weather proof environmental structure.
- Unitized all-in-one dome colour unit with low-light B/W mode.
- Switches from selected colour mode to B/W mode, automatically or manually for day and night 24-hour surveillance.
- 570-line at B/W and 480-line at colour imaging horizontal resolution.
- Super sensitivity of 0.5 lx in colour mode, and 0.03 lx in B/W mode (at sensitivity 2x up, AGC high).
- Built-in Digital-Flip allows immediate automatic 180-degree turn for improved tracking.
- Privacy zone masking function.
- Linear 32x electronic sensitivity enhancement function.
- Built-in motion detector.
- Patrol Learn function.
- Image hold function during panning.
- 64 camera angle preset positions.
- Panning speed of max. 300 degree/s at sequential mode.
- 22x optical zoom lens (3.79 - 83.4mm at F1.6) plus 10x electronic digital zoom for total zoom capacity of 220x.
- Auto focus lens.
- Thermostat automatically controls built-in heater and cooling fan functions.
- Multiplex-coaxial or RS485 data communication.
- Four (4) alarm inputs and two (2) outputs terminals.
- 16 alphanumeric character display.
- Multiplexed Vertical Drive(VD2) sync capability with Panasonic system products.
- Optional sun shield; WV-7176 is available for application of the avoid the direct rays of the sun.

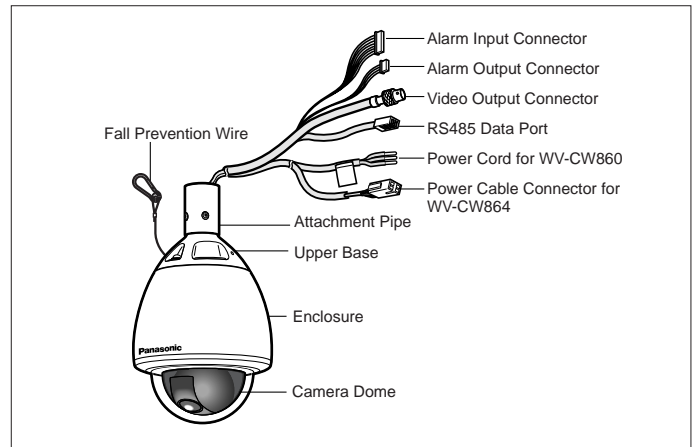
SYSTEM EXAMPLE



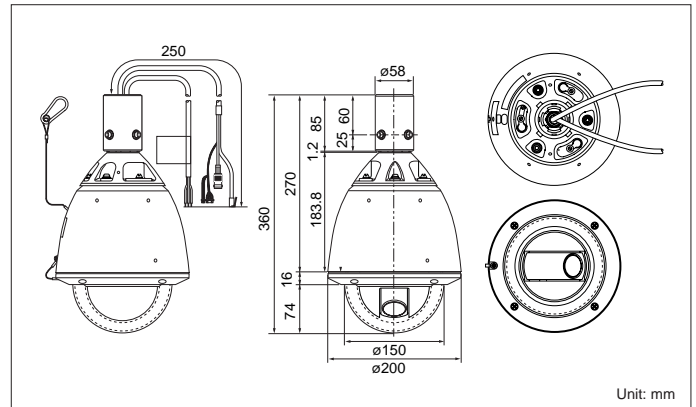
SPECIFICATIONS PAL CCIR

Model No.	WV-CW860	WV-CW864
Effective Pixels	752 (H) x 582 (V)	
Scanning Area	3.65 mm (H) x 2.71 mm (V), 1/4-type CCD	
Synchronization	Internal/Line-lock/Multiplexed Vertical Drive (VD2)	
Horizontal Scanning Frequency	15.625 kHz	
Vertical Scanning Frequency	50.00 Hz	
Video Output	1.0 V[p-p] PAL composite/75 Ω	
Horizontal Resolution	more than 480 lines at colour, 570 lines at B/W mode	
Vertical Resolution	more than 400 lines at centre	
Signal-to-Noise Ratio	50 dB (AGC Off, weight On)	
Minimum Illumination	0.5 lx at colour, 0.03 lx at B/W mode at SENS UP x 2 (AGC High)	
Zoom Speed	approx. 4.5 s (Tele/Wide) in manual mode	
Focus Speed	approx. 6.0 s (Far/Near) in manual mode	
Iris	automatic (open/close is possible)/manual	
Maximum Aperture Ratio	1 : 1.6 (Wide) - 3.0 (Tele)	
Focal Length	3.79 - 83.4 mm	
Angular Field of View	H	2.6° - 51.7°
	V	2.0° - 39.9°
Electronic Shutter	1/50 (Off), 1/120, 1/250, 1/500, 1/1,000, 1/2,000, 1/4,000, 1/10,000 s	
AGC Control	On (Low)/On (Mid)/On (High)/Off	
Sensitivity	max. 32 times, Auto/Fix	
Back Light Control	selectable On/Off (SETUP MENU)	
Zoom Ratio	x22 plus digital zoom x10	
Iris Range	F1.6 - 22, close	
Auto Focus	Manual/Auto	
Auto Mode	Off/Seq/Sort/Auto Pan/Patrol	
Auto Pan Key	Seq/Sort/Auto Pan/Patrol Play	
Digital Flip	On/Off	
Camera ID	preset ID, camera ID, area title : up to 16 characters	
Back Light Control	On/Off	
Motion Detector	On/Off	
Alarm In	4 inputs (Alarm IN 1-4)	
Alarm Out	2 outputs (Alarm/Aux1, B/W/Aux2)	
B/W Mode	Auto/On/Off	
Privacy Zone	On/Off, up to 8 zones	
Proportional Pan/Tilt	On/Off	
Patrol Learn	Learn/Play/Stop, up to 30 seconds	
Cleaning	On/Off	
Imaging Hold	On/Off	
Panning Range	360° endless	
Panning Angle Setting	possible (in auto-pan mode)	
Panning Mode	manual/sequential position/sort position/auto pan	
Panning Speed	manual : approx. 0.1°/s - 120°/s 8-steps/64-steps sequence position : maximum approx. 300°/s	
Tilting Range	0°-180°	
Tilting Mode	manual/sequential position/sort position	
Tilting Speed	manual : approx. 0.1°/s - 120°/s 8-steps/64-steps sequential position : maximum approx. 300°/s	
Power Source	220 V - 240 V AC, 50 Hz	24 V AC, 50 Hz
Power Consumption	18 W (61 W at Heater On)	18 W (59 W at Heater On)
Ambient Operating Temperature	-30°C ~ +50°C (at continuous operation mode)	
Dimensions	200 (D) x 360 (H) mm	
Weight	approx. 5 kg	

MAJOR OPERATING CONTROLS



APPEARANCE



OPTIONAL ACCESSORIES



• Weights and dimensions are approximate. • Specifications are subject to change without notice. • These products may be subject to export control regulations.

DISTRIBUTED BY:

Panasonic

Panasonic is the brandname of Matsushita Electric.
Printed in Japan
WV-JKCV860T(2N-689B)